

Fluid-o-Tech magnet drive rotary vane pumps TH series



The Fluid-o-Tech magnetic drive rotary vane pumps range widens with the introduction of the TH series which combines the larger flow rate (500 to 1000 l/h at 1450 rpm or 160 to 330 GPH at 1725 rpm) with the added benefit of the magnetic coupling:

- longer service life
- no mechanical seal
- totally sealed body
- low maintenance
- less power consumption
- smooth transmission

The rare earths magnet grants high performance and perfect alignment between the pump and the motor, extending the life of the unit.

The absence of friction, usually caused by the rotation of the mechanical seal against the ceramic seat, allows a more efficient operation and therefore a low power consumption.

The Rotoflow TH series pumps offer multiple options to configure the product to the specific need of each customer.

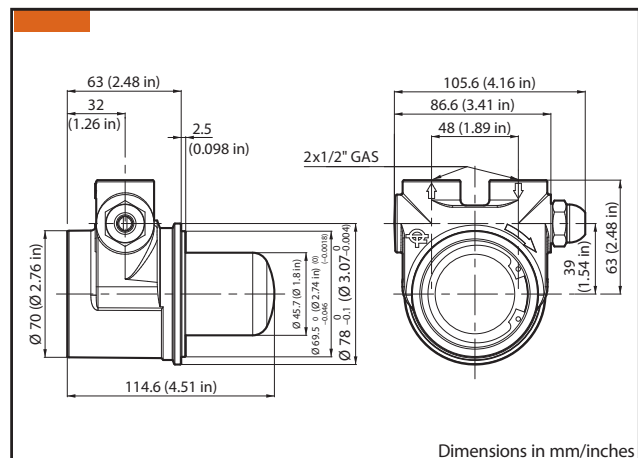
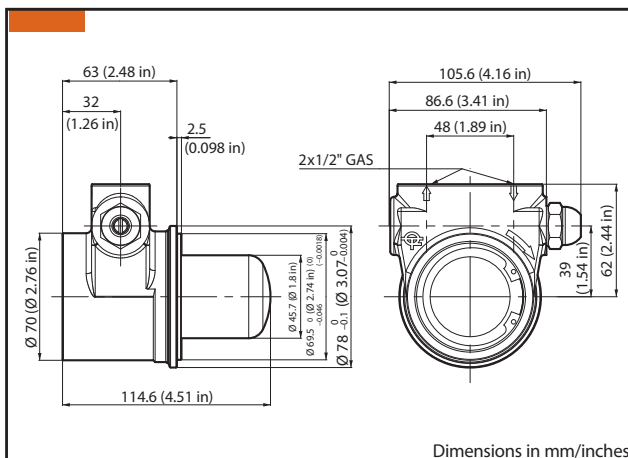
The housing is available in AISI 303 or brass.

The internal components include AISI 303 rotor, carbon graphite pumping chamber and a choice of NBR, EPDM or Viton® seals.

- 1/2" GAS or NPT threaded ports
- Built-in relief valve
- NSF listed pumps available for potable water

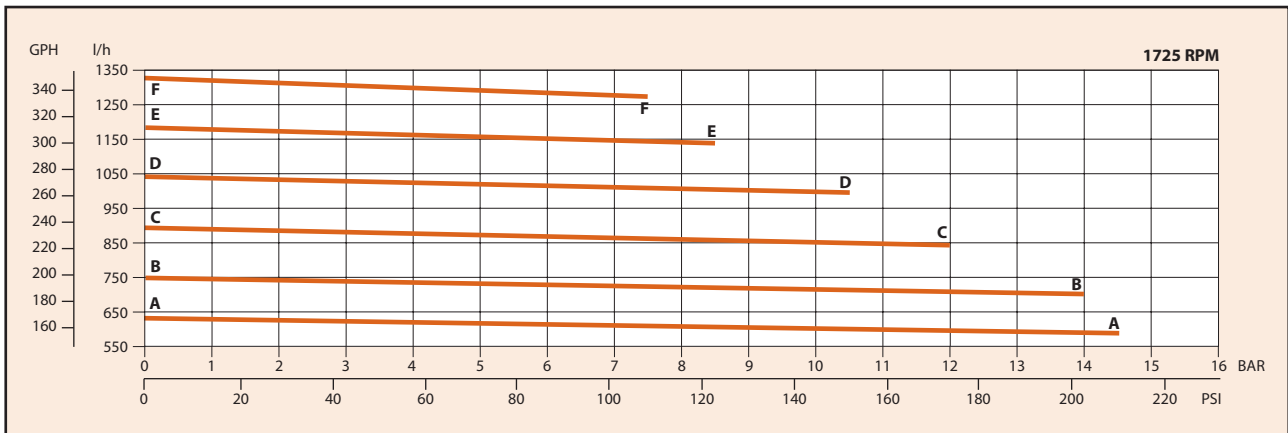
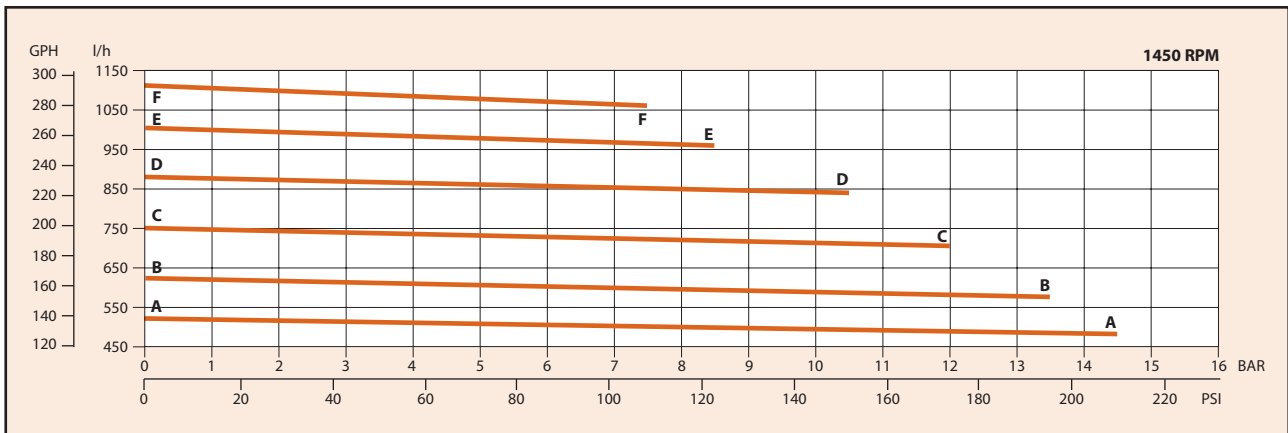
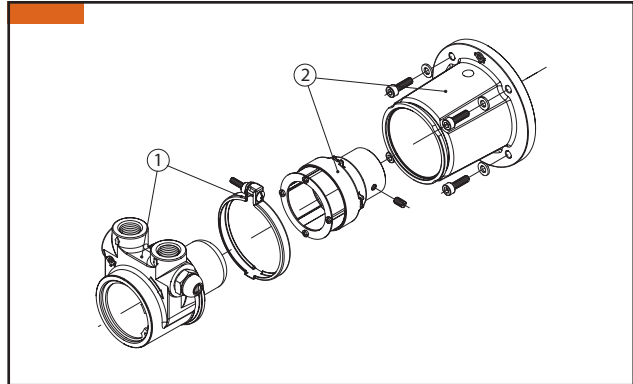


- Max speed: 1725 rpm
- Max system pressure: 18 bar (260 psi)
- Max temperature: 70 °C (158 °F)



Model Bypass	Housing	Figure			
THSS500A	NO	STAINLESS STEEL	A-A		
THSS600A			B-B		
THSS700A			C-C		
THSS800A			D-D		
THSS900A			E-E		
THSS1000A			F-F		
THSS501A			STANDARD	STAINLESS STEEL	A-A
THSS601A					B-B
THSS701A					C-C
THSS801A					D-D
THSS901A	E-E				
THSS1001A	F-F				
THOT500A	NO	BRASS	A-A		
THOT600A			B-B		
THOT700A			C-C		
THOT800A			D-D		
THOT900A			E-E		
THOT1000A			F-F		
THOT501A			STANDARD	BRASS	A-A
THOT601A					B-B
THOT701A					C-C
THOT801A					D-D
THOT901A	E-E				
THOT1001A	F-F				

Pos.	Description	Code
1	TH Series Pump	-
2	M80-B14 frame motor mounting assembly	THBS80C
	NEMA 56C frame motor mounting assembly	THBS5BC



Note: Characteristics with water at 20 °C and without bypass - Use filter before pump inlet not larger than 20 microns - Pump weight: 2,1 kg (4,6 Lbs).

For applications involving other fluids, high temperatures, unusual processing conditions or speed higher than 1725 rpm consult the factory or an authorized Fluid-o-Tech distributor.

Fluid-o-Tech reserves the right to alter the specifications indicated in this catalogue at any time and without prior notice.

TH en - 11/10 Ed.

Fluid-o-Tech srl
Via Leonardo da Vinci, 40
20094 Corsico, Milano, Italy
Tel. +39 02 8917071
Fax +39 02 89170799

Fluid-o-Tech Int'l Inc.
161 Atwater St.,
Plantsville CT (USA) 06479
Tel. +1 (860) 276-9270
Fax +1 (860) 620-0193

Fluid-o-Tech Int'l Inc. Japan
203, 2-17-19, Ebara, Shinagawa
Tokyo 142-0063, Japan
Tel. +81 (0) (3) 3783-9660
Fax +81 (0) (3) 3783-9661

Fluid-o-Tech Asia (Beijing) Co., Ltd
Jingwei Industrial Zone,
Beifang Huairou, Beijing, 101400, PRC
Tel. +86 (0) (10) 61684650
Fax +86 (0) (10) 61684651